

D30TURBOEXIRZ

Turbo HD EXIR Dome Camera



▶ Camera

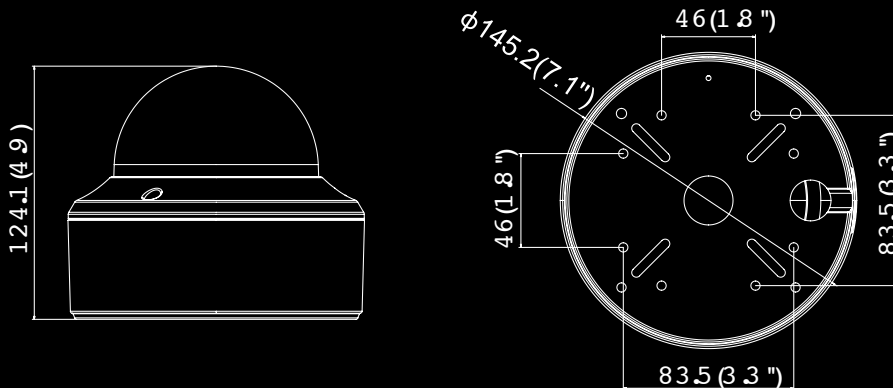
Image Sensor	3MP CMOS Image Sensor
Effective Pixels	2052(H)*1536(V)
Min. Illumination	0.01 Lux @ (F1.2,AGC ON),0 Lux with IR
Shutter Speed	1/25s to 1/50,000s
Lens	Motorized VF lens; 2.8 - 12 mm @ F1.2
Lens Mount	Ø14
Day & Night	ICR
Angle Adjustment	Pan: 0° - 340°; Tilt:0° - 75°; Rotate: 0° - 355°
Synchronization	Internal Synchronization
WDR	120dB
Video Frame Rate	1920×1536@18fps
HD Video Output	1 Analog HD output
S/N Ratio	More than 62dB

▶ General

Operating Conditions	-40 – 60 °C (-40 °F – 140 °F), Humidity 90% or less (non-condensing)
Power Supply	12 VDC±15%; -A: 12 VDC/24 VAC±15%
Power Consumption	Max. 4.5 W; -A: Max. 6.5 W
Protection Level	IP66
Impact Protection	IK10
IR Range	Up to 40 m
Communication	Up the coax, Protocol: HIKVISION-C (TVI output)
Dimensions	Ø 145.2 mm×124.1 mm (Ø 5.72"×4.89")
Weight	Approx. 1600g (3.53 lb)

▶ Menu

AGC	Support
D/N Mode	Color/BW/SMART
White Balance	ATW/ MWB
BLC	Support
Functions	Wide Dynamic Range, Digital Noise Reduction, Digital Zoom (62x), Mirror, Defect pixel correction, SMART IR



Unit:mm