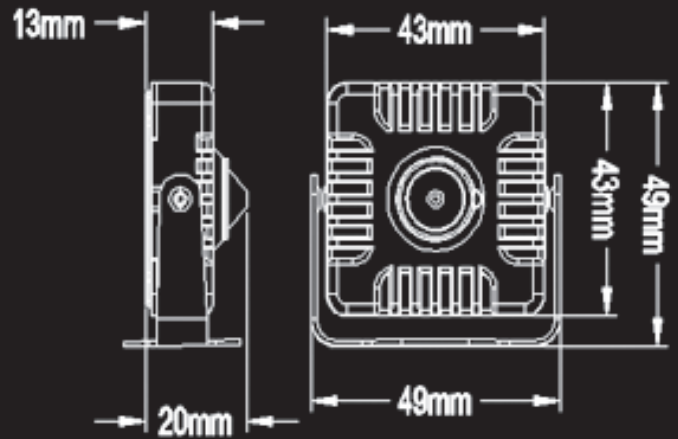


P8TURBOWDN

WDR Indoor Mini Camera

TURBOHD



Features and Functions

- 1/2.9" 2MP SONY Exmor CMOS.
- 100 dB ROI Window WDR.
- Auto Defog, HLC, Privacy mask, motion detection
- 2D/3D DNR, anti-ghost effect.
- HDCVI/HDTVI/AHD (output Selectable from OSD Switch) & CVBS output simultaneously.
- Multi Languages OSD Control from Recorder
- DC12V.

Specifications

Image Sensor	1/2.9" 2.0MP SONY Exmor CMOS
Effective Pixels	1945(H) × 1097 (V)
Resolution	Digital:1920×1080p(1080p/30fps) Analog:700TVL
S/N Ratio	≥50dB (AGC Off)
Min. Illumination	COLOR: 0. 1Lux@(F2.0, AGC ON) B&W: 0.001Lux@(F2.0, AGC ON)
Scanning System	Progressive
Video Output	HD-Analog: HD-CVI (TVI AHD)(1080P, 720P) Analog: 1Vp-p Composite Output (75Ω/BNC)
Day&Night	EXTERN,COLOR, B&W,AUTO
White Balance	Auto
OSD	English / Chinese
Defog	OFF/ON
WDR	OFF/LOW/MIDDLE/HIGH
Privacy Mask	ON/OFF (16 Areas)
Motion Detection	ON/OFF (4 Areas)
IR LED	NO
Lens	3.7mm Pin hole
IR Range	NO
Power Supply	DC12V±10%
Power Consumption	<2W
Weight	90g
IP Rating	IP60
Storage Temperature	-20°~ 60°C
Working Temperature/Humidity	-10 ~60°C Humidity 90% or less(non-condensing)

epcom[®]

Professional Video Surveillance Solutions